



(12) **United States Design Patent**
Lee

(10) **Patent No.:** **US D604,501 S**
(45) **Date of Patent:** **** Nov. 24, 2009**

(54) **EARPHONE CARRYING CASE**

(57) **CLAIM**

(76) Inventor: **In Cheol Lee**, 2 Spruce Pl., Great Neck, NY (US) 11021

The ornamental design for the earphone carrying case, as shown and described.

(**) Term: **14 Years**

DESCRIPTION

(21) Appl. No.: **29/324,146**

FIG. 1 shows a left side view of the carrying case in a fully open position.

(22) Filed: **Sep. 8, 2008**

FIG. 2 shows a top perspective view of the carrying case in a fully open position.

(51) **LOC (9) Cl.** **03-01**

FIG. 3 shows a top plan view of the carrying case in a fully open position.

(52) **U.S. Cl.** **D3/201**

FIG. 4 shows a top perspective view of the carrying case in a closed position.

(58) **Field of Classification Search** D3/294–295, D3/201, 203.1, 203.3, 203.6, 205, 272–273, D3/301, 218; D9/418, 420, 426, 428, 432; 206/37, 229, 320, 363, 557; 220/810, 825, 220/833–835; D28/82

FIG. 5 shows a front side view of the carrying case in a closed position.

See application file for complete search history.

FIG. 6 shows a side view of the carrying case in a closed position.

(56) **References Cited**

FIG. 7 shows a top plan view of the carrying case in a closed position.

U.S. PATENT DOCUMENTS

FIG. 8 shows a rear side view of the carrying case in a closed position.

D281,033 S	10/1985	Mohri	
D333,560 S	3/1993	Miyashita et al.	
D333,917 S	3/1993	Daido et al.	
D397,865 S *	9/1998	Lin D3/218
5,887,720 A	3/1999	Lin	
6,006,915 A	12/1999	Moor	
D440,039 S	4/2001	Bergfeldt	
6,370,401 B1	4/2002	Baranowski et al.	

FIG. 9 shows a top, rear perspective view of the carrying case in a closed position.

(Continued)

OTHER PUBLICATIONS

FIG. 10 shows a top perspective view of the carrying case in a partially open position.

The Original earPod, <http://www.audio-outfitters.com/earPod.html>, accessed Jul. 14, 2008.

FIG. 11 shows a top plan view of the carrying case in a partially open position.

Super Bass Digital Stereo Earphones with Carrying Case, <http://cobymarket.manufacturer.globalsources.com>, accessed Jul. 14, 2008.

FIG. 12 shows a side view of the carrying case in a partially open position.

Primary Examiner—Catherine R Oliver
(74) *Attorney, Agent, or Firm*—Michael J. Feigin, Esq.; <http://PatentLawNY.com>

FIG. 13 shows a front side view of the carrying case in a partially open position.

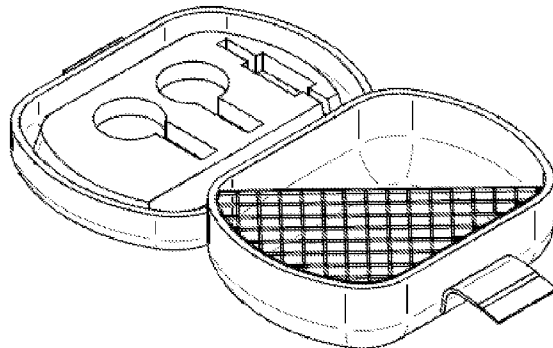
FIG. 14 shows a top perspective view of the carrying case open 45 degrees.

FIG. 15 shows a top perspective view of the carrying case open 45 degrees.

FIG. 16 shows a side view of the carrying case open 45 degrees; and,

FIG. 17 shows a front side view of the carrying case open 45 degrees.

1 Claim, 4 Drawing Sheets



US D604,501 S

Page 2

U.S. PATENT DOCUMENTS			
D474,886 S *	5/2003	Fleming et al.	D3/203.1
D489,529 S	5/2004	Vish et al.	
D491,364 S	6/2004	Vish et al.	
D511,895 S	11/2005	Vish et al.	
D529,288 S *	10/2006	Ham	D3/294
D548,970 S *	8/2007	Huang	D3/294
D561,470 S *	2/2008	Jalet	D3/294
D569,608 S	5/2008	Rowe	
D576,785 S *	9/2008	TerMeer	D3/201
D586,557 S *	2/2009	Jalet	D3/294
2007/0256946 A1	11/2007	Godshaw et al.	
			* cited by examiner

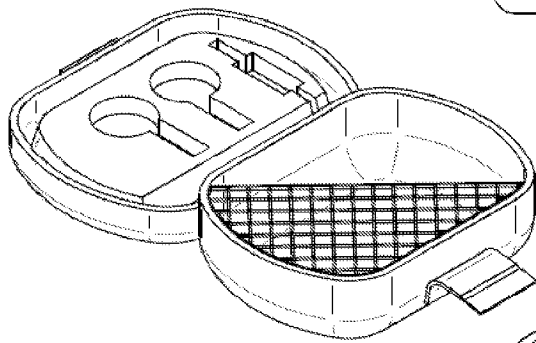


Figure 2

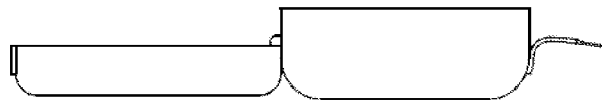


Figure 1

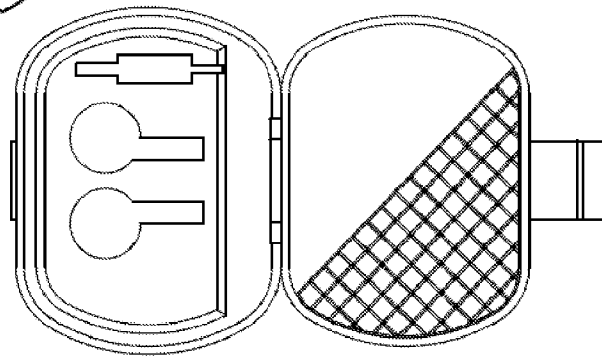


Figure 3

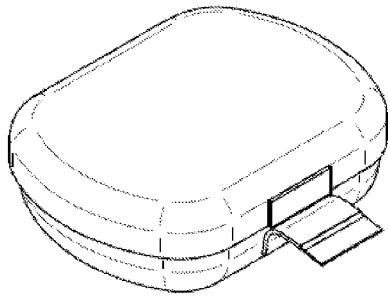


Figure 4

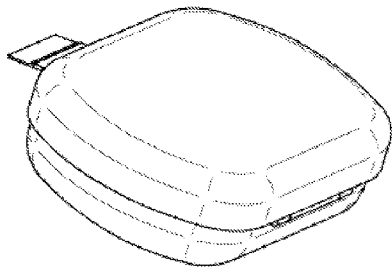


Figure 9

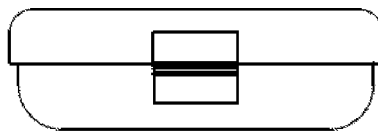


Figure 5

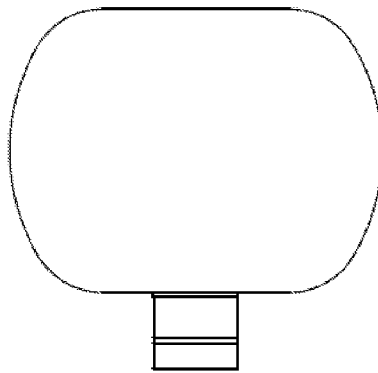


Figure 7

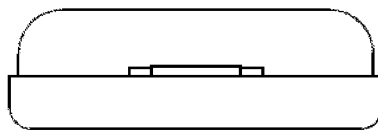


Figure 8

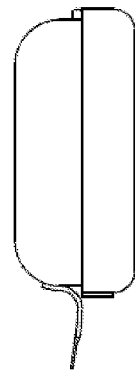


Figure 6

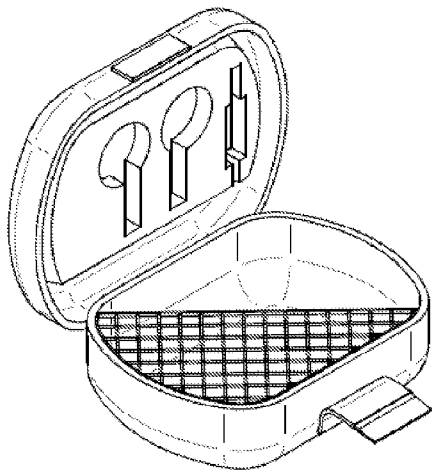


Figure 10

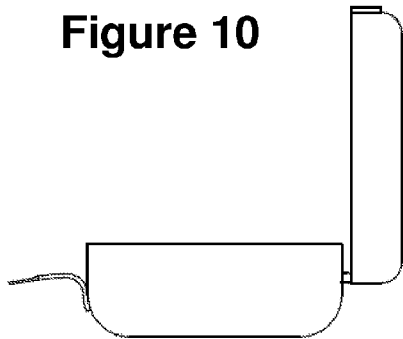


Figure 12

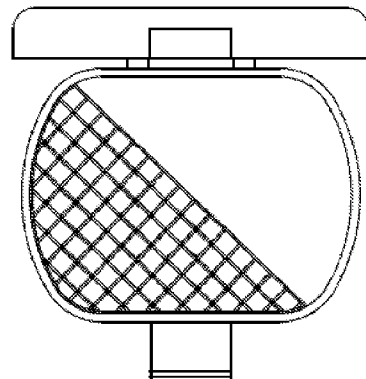


Figure 11

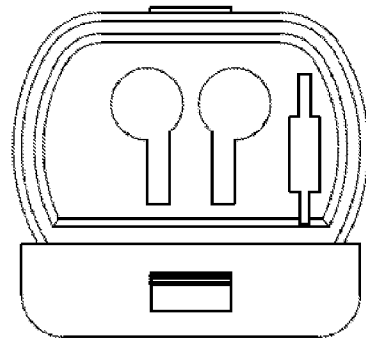


Figure 13

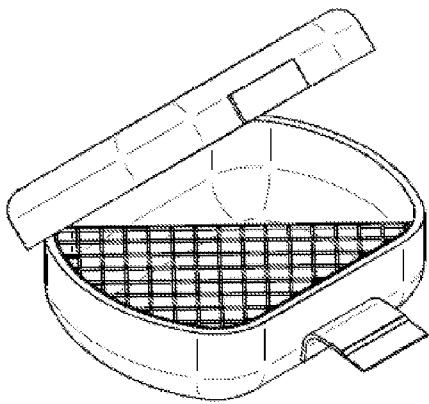


Figure 14

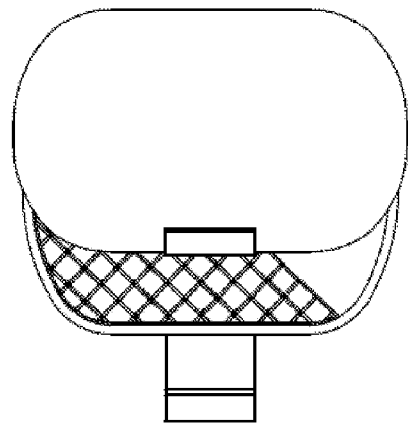


Figure 15

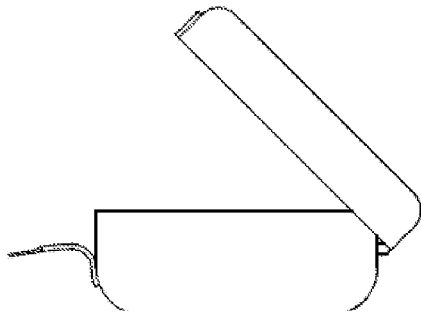


Figure 16

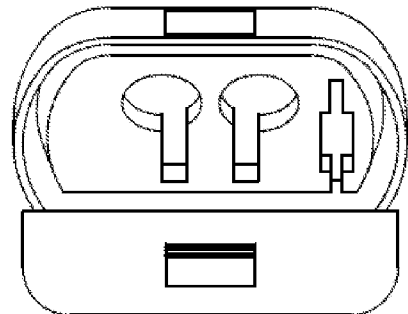


Figure 17