



US00D606584S

(12) **United States Design Patent**
Farnell

(10) **Patent No.:** **US D606,584 S**

(45) **Date of Patent:** **** Dec. 22, 2009**

(54) **MULTISIDED DISPLAY CARD**

(57) **CLAIM**

(76) Inventor: **Andre Farnell**, 616 Edpas Rd., New Brunswick, NJ (US) 08901

The ornamental design for a multisided display card, as shown and described.

(**) Term: **14 Years**

DESCRIPTION

(21) Appl. No.: **29/334,014**

FIG. 1 shows an outside bottom perspective of the multisided display card in a closed configuration.

(22) Filed: **Mar. 19, 2009**

FIG. 2 shows an outside bottom plan view of the multisided display card in a closed configuration.

(51) **LOC (9) Cl.** **19-01**

(52) **U.S. Cl.** **D19/1**

(58) **Field of Classification Search** D19/1-34;
40/124.01-124.15, 672, 661, 726, 776, 617;
283/72, 74, 75, 103, 105, 106; 206/449,
206/213, 308.3; D20/10, 22, 27, 40, 42,
D20/11; 229/72, 92, 92.1, 300-303, 81;
D9/707, 709; 383/103, 51, 40, 87

FIG. 3 shows an outside top plan view of the multisided display card in a closed configuration.

FIG. 4 shows an outside, first side view of the multisided display card in a closed configuration.

FIG. 5 shows an outside, second side view of the multisided display card in a closed configuration.

See application file for complete search history.

FIG. 6 shows an outside, third side view of the multisided display card in a closed configuration.

(56) **References Cited**

U.S. PATENT DOCUMENTS

FIG. 7 shows an outside, fourth side view of the multisided display card in a closed configuration.

FIG. 8 shows an outside bottom perspective view of the multisided display card in an open configuration.

| | | | | | | |
|-----------|---|---|---------|------------------|-------|-----------|
| 258,861 | A | * | 5/1882 | Lubin | | 229/81 |
| 2,005,493 | A | * | 6/1935 | Blackwell | | D19/1 |
| D123,247 | S | * | 10/1940 | Whiting | | D19/3 |
| D135,748 | S | * | 6/1943 | Baumgartner | | D19/2 |
| 4,379,373 | A | * | 4/1983 | Transport | | 40/124.09 |
| 4,393,618 | A | * | 7/1983 | Ray | | D19/1 |
| D339,604 | S | * | 9/1993 | Gerber-Phinny | | D19/3 |
| D342,445 | S | * | 12/1993 | Brewer | | D19/3 |
| 6,053,399 | A | * | 4/2000 | Wurdeman | | D19/4 |
| D430,605 | S | * | 9/2000 | McFarlane et al. | | D19/3 |
| D440,251 | S | * | 4/2001 | Baden | | D19/3 |
| D545,360 | S | * | 6/2007 | Schluger | | D19/3 |
| D555,903 | S | * | 11/2007 | Hammer | | D19/26 |

FIG. 9 shows an outside bottom plan view of the multisided display card in an open configuration.

FIG. 10 shows an outside top plan view of the multisided display card in an open configuration.

FIG. 11 shows an outside, first side view of the multisided display card in an open configuration.

FIG. 12 shows an outside, second side view of the multisided display card in an open configuration.

* cited by examiner

FIG. 13 shows an outside, third side view of the multisided display card in an open configuration; and,

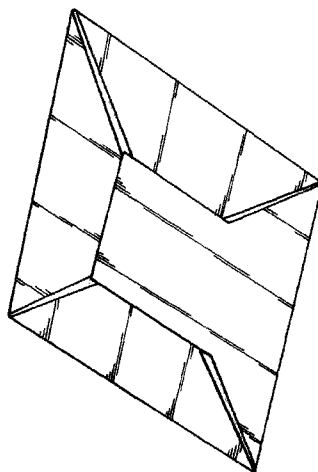
Primary Examiner—T. Chase Nelson

Assistant Examiner—David G Muller

FIG. 14 shows an outside, fourth side view of the multisided display card in an open configuration.

(74) *Attorney, Agent, or Firm*—Michael J. Feigin, Esq.; PatentLawNY.com

1 Claim, 7 Drawing Sheets



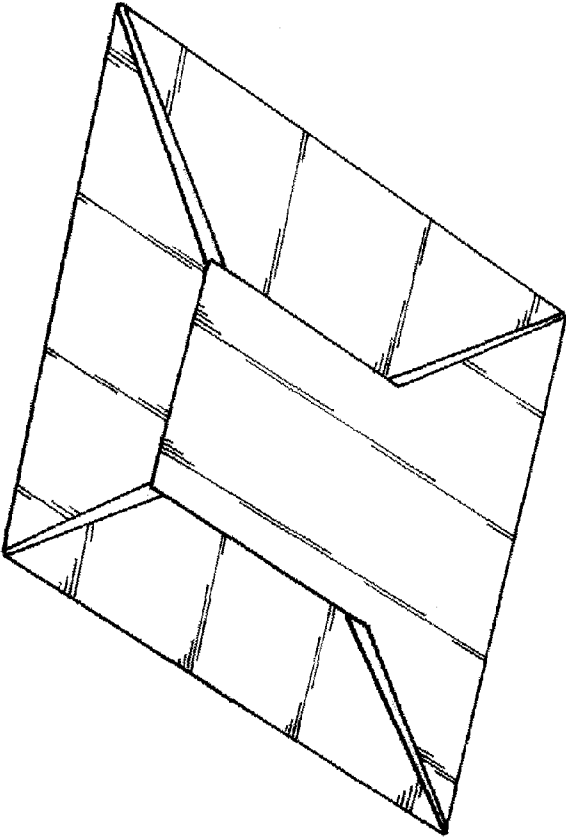


FIG. 1

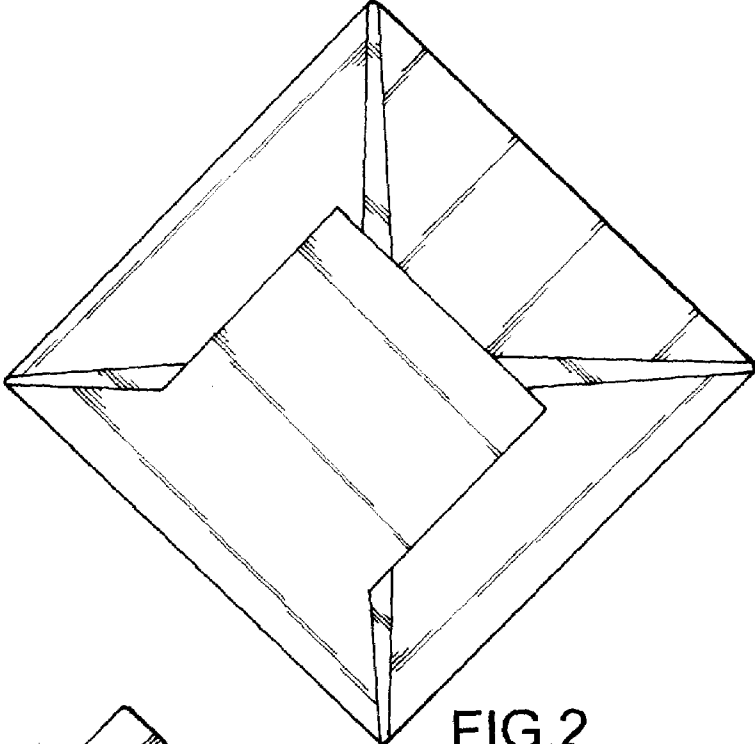


FIG. 2

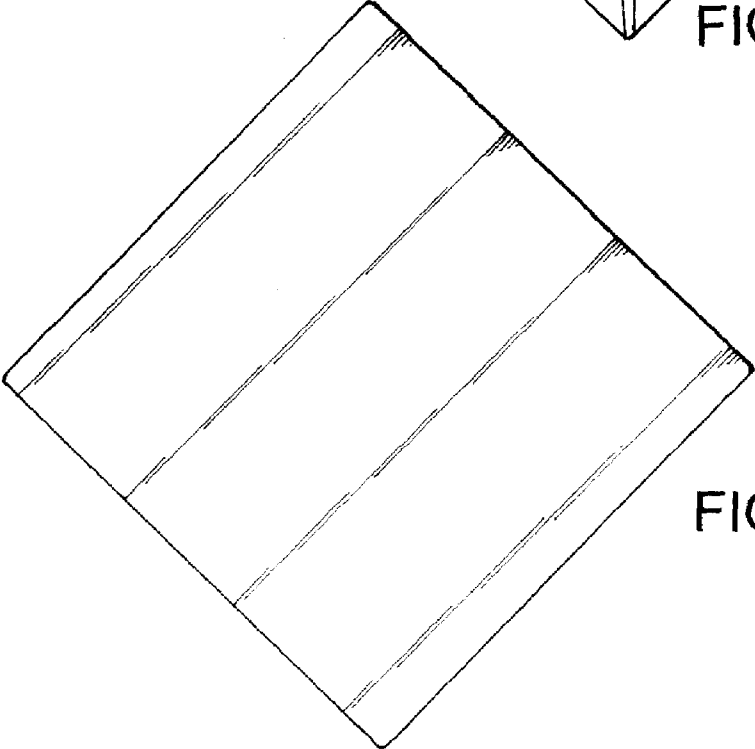


FIG. 3



FIG. 4



FIG. 5

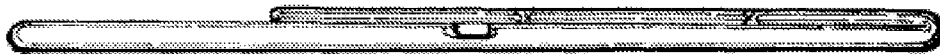


FIG. 6



FIG. 7

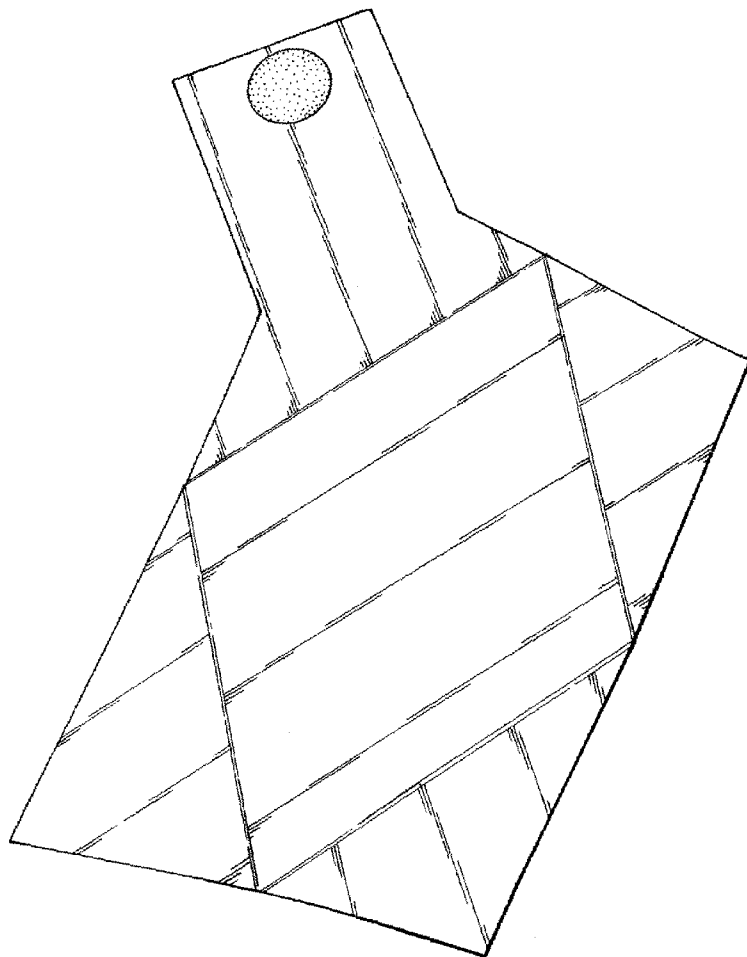


FIG.8

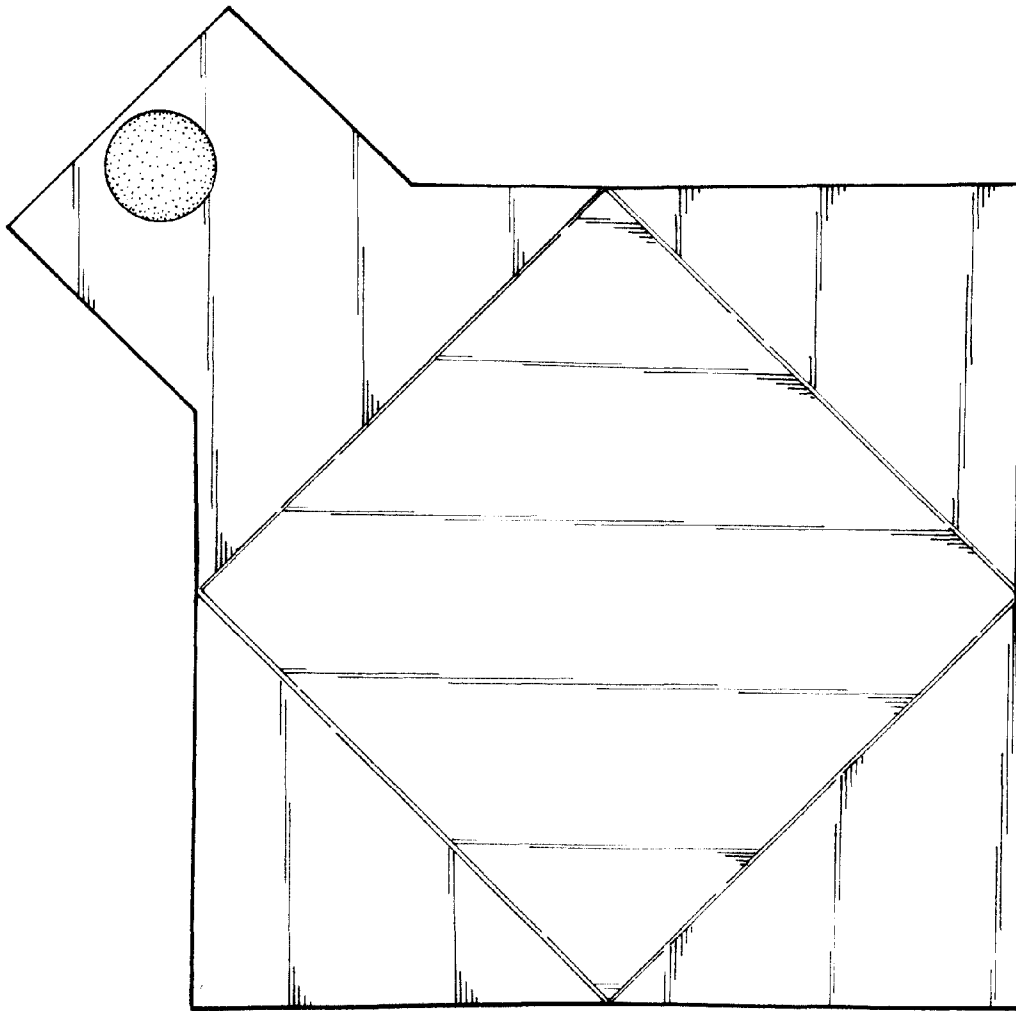


FIG.9

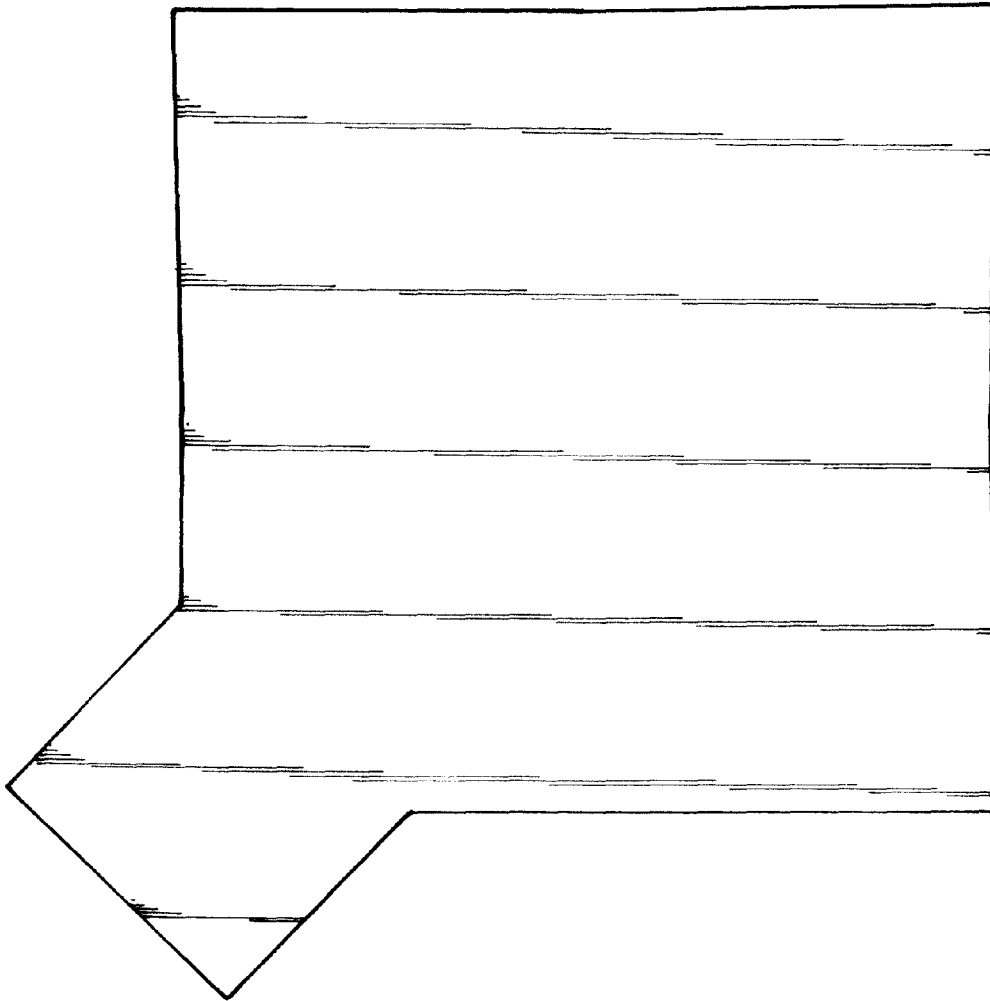


FIG.10

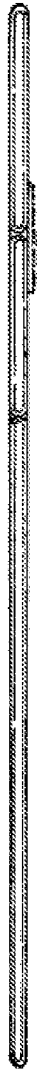


FIG. 11



FIG. 12

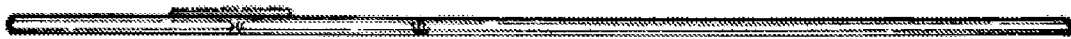


FIG. 13



FIG. 14